

User Instructions

Alpha
HEATING INNOVATION

TURN ON ELECTRICITY SUPPLY TO BOILER

The clock allows you to set the times at which the boiler will operate to provide central heating. It does not affect the supply of domestic hot water, which is always available.

1. TO SET THE TIME

Turn the outer dial clockwise to set the clock hands to the correct time. (Ensure the time indicator corresponds with the correct time on the 24hr dial as shown in Fig. 1 e.g. 3.00pm = 15 not 3).

NOTE: Do not rotate the dial anti-clockwise

2. TO SET THE ON/OFF PERIODS

Select the ON times by pushing the tappets out.

Select the OFF times by pushing the tappets in.

Fig. 1 shows the clock set as follows:

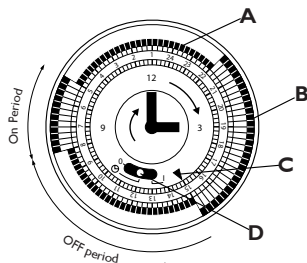
ON	3.00pm	to	10.00pm	(15-22)
OFF	10.00pm	to	5.00am	(22-5)
ON	5.00am	to	8.00am	(5-8)
OFF	8.00am	to	3.00pm	(8-15)

3. MANUAL SWITCH

The clock has a manual On/Off switch which operates as follows:

Mid position	Heating On/Off as set by the tappets
Position 1 (right)	Heating On continuously
Position 0 (left)	Heating Off continuously

FIG. 1



- A Tappets pushed to inside (off)
- B Tappets pushed to outside (on)
- C Time Indicator
- D Manual On/Off switch

24hr Mechanical Heating Clock

Part no 6.1000201

Alpha
HEATING INNOVATION

INSTALLATION INSTRUCTIONS

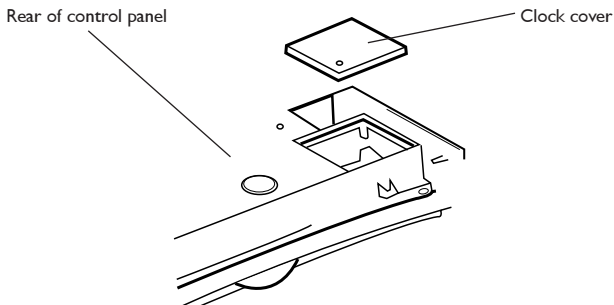
Ensure the electrical supply to the boiler is isolated

1. Lower the front cover and remove the two fixing screws (one each side) securing the control panel. Close the front cover and lower the control panel.
2. Remove the two screws securing the clock cover at the rear of the control panel and remove cover.
3. Remove and discard the clock blanking panel.
4. Insert the clock into the opening and secure in place with the screws supplied fitted in the control panel.
5. Connect the clock wiring to the clock as follows:

Red Wires to terminals 3 and 4, Brown wire to terminal 2 and blue wire to terminal 1.

ENSURE WIRING IS CORRECT

6. Replace the clock cover. Do not overtighten the fixing screws.
7. Leave the control panel open until commissioning procedures have been completed.



05/06