



ARISTON



# AURES SLIM MULTI

ELECTRIC INSTANTANEOUS  
WATER HEATER

HOT WATER | HEATING | RENEWABLES  
[ariston.com/uk](https://ariston.com/uk)

# AURES SLIM MULTI FEATURES AND BENEFITS



## ADVANCED PERFORMANCE

- / Multi-point model to supply multiple water outlets at the same time
- / Flow sensor system initiates instantaneous water heating when a tap is opened

## MAXIMUM COMFORT

- / Front facing dial and LED indication for ease of operation
- / 4-step dial to set the desired power level
- / Easy to maintain with frontal access to all internal components

## PEACE OF MIND

- / Complete safety thanks to its double thermal cut-out

## ITALIAN DESIGN

- / Premium Italian design
- / Elegant brushed effect front panel
- / Sleek cover of water inlet and outlet pipes
- / Space saving thanks to its compact size



MULTI POINT



DOUBLE SAFETY THERMOSTAT



ENERGY EFFICIENT



COMPACT SIZE



EASY INSTALLATION



ITALIAN DESIGN



EXTERNAL POWER REGULATION



2 YEARS WARRANTY AVAILABLE



## INSTANT HOT WATER THE ULTIMATE ENERGY EFFICIENT SOLUTION

No more time or energy wasted when waiting for water to heat up.

Aures Slim Multi is a great way to supply one or several water outlets with instant hot water, even where space is at a premium. Get hot water precisely when needed and in the right amount by simply opening the tap, with no pre-heating time or space necessary to store it.

Aures eliminates heat loss and reduces energy consumption and as a result, boasts **ErP energy class 'A'**, the top level of energy efficiency in the instant electric water heating sector.

Get ready to enjoy instant hot water on tap.



# AURES SLIM MULTI INSTANTANEOUS WATER HEATER

BRUSHED EFFECT FRONT PANEL

PREMIUM ITALIAN DESIGN



FRONT FACING DIAL

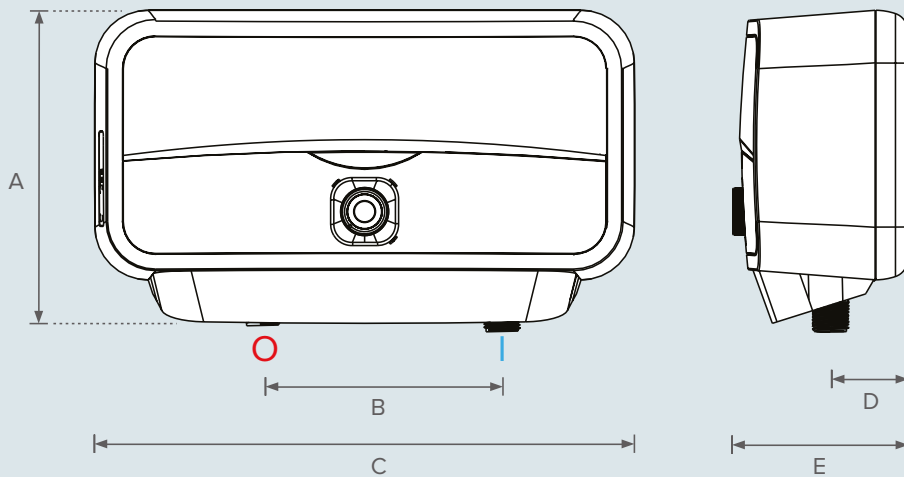
COVER OF INLET & OUTLET PIPES



1. LEDs indicate power level

2. Ergonomic dial with three power settings: LOW (4.5kW), MEDIUM (5kW), HIGH (9.5kW)

# PRODUCT DIMENSIONS



SM 9.5 240V EU	
A	178mm
B	135mm
C	304mm
D	45mm
E	98mm

#### LEGEND

- | Cold water inlet G 1/2"
- Hot water outlet G 1/2"

## AURES SM 9.5

Description	9.5 240V EU
Voltage (V) On Tech Label	240
Power (kW)	9.5kW
Step Power (kW)	4.5+5
Phase	Mono
Ampere	39.6
Frequency (Hz)	50/60Hz
Safety Valve (Y/N)	Y
Heating Element	Copper
Inner Tank Type	Plastic
Water Connection Size (inch/BSP)	1/2" BSP
Min Flow Rate (L/min)	2.1
Max Working Pressure (bar)*	8
IP Protection Degree	IP24
Max Working Temperature (°C)	55
ERP Rating	A
Tapping Profile	XS
PRODUCT CODE	3520028

## UNLIMITED HOT WATER IN AN INSTANT WHEREVER YOU NEED IT



## HOT WATER | HEATING | RENEWABLES

**Customer Service:** [customer.service.uk@aristonthermo.com](mailto:customer.service.uk@aristonthermo.com) | 0333 240 8777

**Sales:** [salesoffice@aristonthermo.com](mailto:salesoffice@aristonthermo.com) | 0333 240 6666

[ariston.com/uk](http://ariston.com/uk)

[@AristonUK](https://www.instagram.com/AristonUK)
[/AristonUK](https://www.facebook.com/AristonUK)
[/AristonThermo](https://www.youtube.com/AristonThermo)
[/AristonUK](https://www.instagram.com/AristonUK)

