




# OPTIFLAME ELECTRIC INSET FIRE

## Models Covered:

**Adagio, Danesbury, Horton, Whitsbury, Wynford**

EN : This product is only suitable for well insulated rooms or occasional use. DE : Dieses Produkt ist nur für gut isolierte Bereiche oder gelegentliche Verwendung geeignet. FR : Ce produit convient uniquement à des endroits bien isolés ou pour un usage occasionnel. IT : Questo prodotto è adatto solo per spazi ben isolati o per uso occasionale. ES : Este producto sólo es adecuado para espacios bien aislados o un uso ocasional. NL : Dit product is uitsluitend geschikt voor goed geïsoleerde ruimten of voor sporadisch gebruik. PL : Produkt ten jest odpowiedni wyłącznie do dobrze odizolowanych miejsc lub do okazjonalnego użytku. NO : Dette produktet egner seg kun for godt isolerte rom eller sporadisk bruk. RO : Acest produs este adecvat exclusiv spațiilor bine ventilate sau utilizării ocazionale. CZ : Tento výrobek je vhodný pouze do dobře izolovaných prostor nebo k příležitostnému použití. DK : Dette produkt er kun egnet til velisolerede rum eller lejlighedsvis brug. PT : Este produto somente é adequado para espaços bem isolados ou uso ocasional. SE : Denna produkt är endast avsedd för välisolerade utrymnen eller tillfällig användning. FI : Tämä tuote soveltuu ainoastaan hyvin eristettyihin tiloihin tai satunnaiseen käyttöön. SK : Tento výrobok je vhodný len pre dobre izolované priestory alebo na občasné použitie. SI : Ta izdelek je primeren le za dobro izolirane prostore ali za občasno uporabo. HR : Ovaj proizvod je pogodan samo za dobro izolirane prostore ili povremenu upotrebu. HU : Ez a termék csak jól szigetelt terekhez vagy eseti használatra alkalmas.

---

 The product complies with the European Safety Standards EN60335-2-30 and the European Standard Electromagnetic Compatibility (EMC) EN55014, EN60555-2 and EN60555-3. These cover the essential requirements of EEC Directives 2006/95/EC and 2006/108/EC

08/53461/0 (UK) Issue 2  
OCN 10816

# Optiflame Electric Inset Fire

## Introduction

Thank you for choosing this Dimplex electric fire. Please read this information guide carefully in order to safely install, use and maintain your product.

## Important Safety Advice

When using electrical appliances, basic precautions should always be followed to reduce the risk of fire, electrical shock and injury to persons, including the following:

### 1. OVERHEATING

**WARNING:** In order to avoid overheating, do not cover the heater. Do not place material or garments on the heater, or obstruct the air circulation around the heater. The heater carries a DO NOT COVER warning.

### 2. DAMAGE.

If the appliance is damaged, check with the supplier before installation and operation. If the supply cord is damaged it must be replaced by the manufacturer or service agent or a similarly qualified person in order to avoid a hazard.

### 3. LOCATION

Do not use outdoors.

Do not use in the immediate surroundings of a bath, shower or swimming pool.

Do not locate the heater immediately below a fixed socket outlet or connection box.

Ensure that furniture, curtains or other combustible material are positioned no closer than 1 metre from the heater.

Although this heater conforms with safety standards, we do not recommend its use on deep pile carpets or on long hair type of rugs.

### 4. PLUG POSITIONING

The appliance must be positioned so that the plug is accessible.

Keep the supply cord away from the front of the heater.

### 5. USE OF OTHER CONTROLS

Do not use this heater in series with a thermal control, a program controller, a timer or any other device that switches on the heat automatically, since a fire risk exists when the heater is accidentally covered or displaced.

### 6. UNPLUGGING

In the event of a fault unplug the device. Unplug the device when not required for long periods.

### 7. OWNER/USER

This appliance can be used by children aged from 8 years and above and persons with reduced physical, sensory or mental capabilities or lack of experience and knowledge if they have been given supervision or instruction concerning use of the appliance in a safe way and understand the hazards involved. Children shall not play with the appliance. Cleaning and user maintenance shall not be made by Children without supervision. Children of less than 3 years should be kept away unless continuously supervised. Children aged from 3 years and less than 8 years shall only switch on/off the appliance provided that it has been placed or installed in its intended normal operating position and they have been given supervision or instruction concerning use of the appliance in a safe way and understanding the hazards involved. Children aged from 3 years and less than 8 years shall not plug in, regulate and clean the appliance or perform user maintenance.

**CAUTION - Some parts of this product can become very hot and cause burns. Particular attention has to be given where children and vulnerable people are present.**

### 8. ELECTRICITY

**WARNING – THIS APPLIANCE MUST BE EARTHED.**

This heater must be used on an AC ~ supply only and the voltage marked on the heater must correspond to the supply voltage. Before switching on, please read the safety advice and operating instructions.

## Technical Information

Model No: ADG20BN-E, ADG20BR-E, ADG20CH-E, ADG20E, DAN20AB, DAN20BL, DAN20BN, DAN20BR, DAN20CH, HTN-20BL, HTN20BR, HTN20CH, WHT20BR, WHT20CH, WYN20AB-E, WYN20BR-E, WYN20CH-E

**Heat Output** **230V** **240V**

Nominal Heat Output	$P_{Nom}$	1.7	-	1.9	kW
Minimum Heat Output	$P_{min}$	0.9	-	1	kW
Maximum Continuous Heat Output	$P_{max,c}$	1.7	-	1.9	kW

### Auxiliary Electricity Consumption

In Standby mode	$eI_{SB}$	0.02	-	0.02	W
-----------------	-----------	------	---	------	---

with mechanic thermostat room temperature control.

## General Information

Unpack the heater carefully and retain the packaging for possible future use, in the event of moving or returning the fire to your supplier. Loose coals (and/or pebbles) are packed separately within the carton. When the heater is assembled the coals (or pebbles) are placed on top of the fuel bed.

The fire incorporates a flame effect, which can be used with or without heating, so that the comforting effect may be enjoyed at any time of the year. Using the flame effect on its own only requires little electricity.

The heater is designed for use inset into a 407mm (16") or 457mm (18") wide by 559mm (22") high fireplace opening or can be freestanding - see section 'Installation Instructions'.

A 2kw fan heater is discreetly positioned in the canopy of the fire provides heating in cold weather. Switching allows half or full heat. A distance of 1 metre (39") must be maintained between the front of the heater and any surrounding furniture, overhanging curtains or other obstructions.

Before connecting the heater check that the supply voltage is the same as that stated on the heater.

Please note: Used in an environment where background noise is very low, it may be possible to hear a sound which is related to the operation of the flame effect. This is normal and should not be a cause for concern.

## Installation Instructions

This section describes how to set up your electric fire. Your electric fire is designed to be used in a fireplace opening or placed against a wall anywhere in the room.

When installing this appliance in an existing fireplace opening, we recommend that an open chimney flue is blocked off. We recommend that non-flammable materials are used to block off the chimney flue. This procedure is important for the efficient operation of the heating unit and will also reduce heat loss up the chimney.

At the rear of the fire, an adjustable foot is provided for levelling the fire where the fire is being installed on an uneven surface. You can adjust the foot by removing the two screws and refitting the foot in the required position.

All fires are supplied with a hook and rawl plug to provide extra stability to the fire and to prevent it from accidentally being knocked over. The rawl plug supplied is suitable for use in block walls (other wall types may need alternative rawl plugs).

These fires have been supplied with a plastic surround spacer. This spacer can be fitted to the fire if the fireplace is not deep enough to fit the fire or if the fire is to be installed against a flat wall. Please refer to the appropriate instructions below to suit your required installation.

### INSTALLATION WITHOUT THE SURROUND SPACER

1. Measure and mark the installation position of the hook. This position is indicated by 'Y' in Fig. 1 (the hook can be positioned on either side of the fire).
2. Drill the hole for the rawl plug and position the rawl plug in the hole.
3. Screw hook into the rawl plug to the depth as shown in Fig. 2.
4. Position the fire alongside the hook and then lift the fire up and over the hook so that the top edge of the slot on the fire engages with the hook.

## INSTALLATION WITH THE SURROUND SPACER

1. Remove the plastic spacer parts from their packaging and identify top of the spacer which is the smallest of the three parts.
  2. Insert the tabs of the top spacer into the slots in the top of the fire, Fig. 3(1)
  3. Slide the top spacer to the right until it clicks into position, Fig. 3(2)
  4. Identify the right hand spacer and insert its tabs into the slots on the right hand side of the fire, Fig. 4(1)
  5. Slide the right spacer upwards until it clicks into position and joins with the top spacer, Fig. 4(2).
  6. Repeat steps four and five for the left hand spacer. Fig. 5
- (When no longer needed, the spacer can be disassembled by pressing the tabs on the inside corners of the spacer (Fig. 6a) and pulling the left and right spacer downwards until they disengage from the top spacer (Fig. 6b))

Once the spacer is fitted, the fire can be installed by following the steps below.

1. Measure and mark the installation position of the hook. This position is indicated by 'X' in Fig. 7.
2. Drill the hole for the rawl plug and position the rawl plug in the hole.
3. Screw hook into the rawl plug.
4. Position the fire alongside the hook and then lift the fire up and over the hook so that the lip on the top spacer (W, Fig. 8) engages with the hook (Z, Fig. 8).

## Operating the Fire

This section describes how to activate your fire using the manual controls.

### CONTROLS

The heater controls are located on the canopy, towards the top of the fire. (On some models, the hinged canopy cover must be raised to access the controls).

Three switches provide a choice of heat settings. A switch is in the ON position when the red indicator mark on the switch is visible.

- Switch 1** - Controls the electricity supply to the heater and the flame effect. (Note: This switch must be in the ON position for the heater to operate.)
- Switch 2** - Provides 1kW heat output.
- Switch 3** - Provides 2kW heat output when switched with switch 2.

### SETTING THE THERMOSTAT

Set all switches to the ON position. Turn the thermostat knob to MAX to warm the room rapidly. When the room temperature has reached the desired level, turn the thermostat knob back slowly until the thermostat clicks off. The heater will then maintain the room temperature at the chosen level.

Note: Should your heater fail to come on when the thermostat is at a low setting, this may be due to the room temperature being higher than the thermostat setting.

## Maintenance

**WARNING: ALWAYS DISCONNECT FROM THE POWER SUPPLY BEFORE CLEANING THE HEATER.**

### CLEANING

Before commencing cleaning, unplug the heater and allow it to cool. The surfaces of the heater should be given an occasional wipe with a dry soft cloth. Do not use detergents, abrasive cleaning powder or polish on the metal body of the heater.

The glass screen should be cleaned carefully with a chamois leather. Do not use proprietary cleaners.

To remove any accumulation of dust or fluff, the soft brush attachment of a vacuum cleaner should occasionally be used to clean the outlet grille of the fan heater located under the canopy.

To clean the fuel effect, remove the coal/pebbles and wash in warm water. The plastic tray should be wiped clean with a damp cloth. When dry replace the coal/pebbles and arrange for best effect.

### LED LAMPS

This fire is fitted with LED (Light Emitting Diode) bulbs in place of traditional incandescent bulbs. These generate the same light levels as traditional bulbs, but use a fraction of the energy consumed. These lamps cannot be replaced.

### SAFETY CUT-OUT

For your safety, this appliance has been fitted with a thermal cut-out. In the event that the product overheats, the cut-out switches the heat off automatically.

To bring the heat back into operation, remove the cause of the overheating, then unplug or turn off the electrical supply to the heater for up to 10 minutes. When the heater has cooled sufficiently, re-connect and switch on the heater.

## Additional Information

### AFTER SALES SERVICE

Your product is guaranteed for one year from the date of purchase. Within this period, we undertake to repair or exchange this product free of charge (excluding lamps & subject to availability) provided it has been installed and operated in accordance with these instructions. Your rights under this guarantee are additional to your statutory rights, which in turn are not affected by this guarantee.

Should you require after sales information or assistance with this product please go to [www.dimplex.co.uk](http://www.dimplex.co.uk) where you will find our self help guide by clicking on "After Sales".

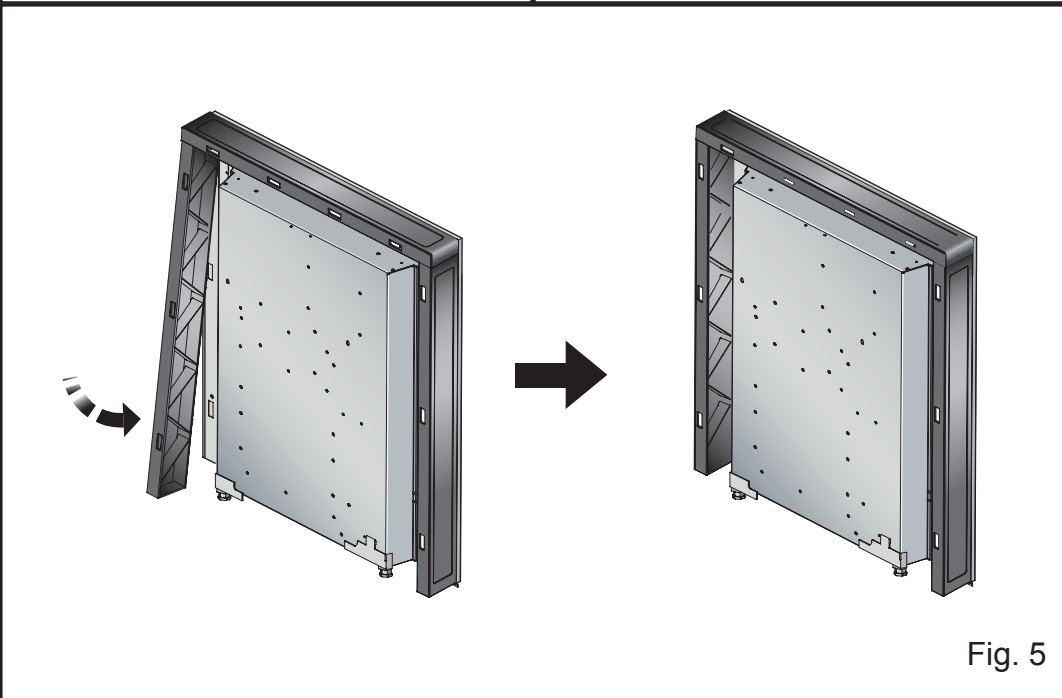
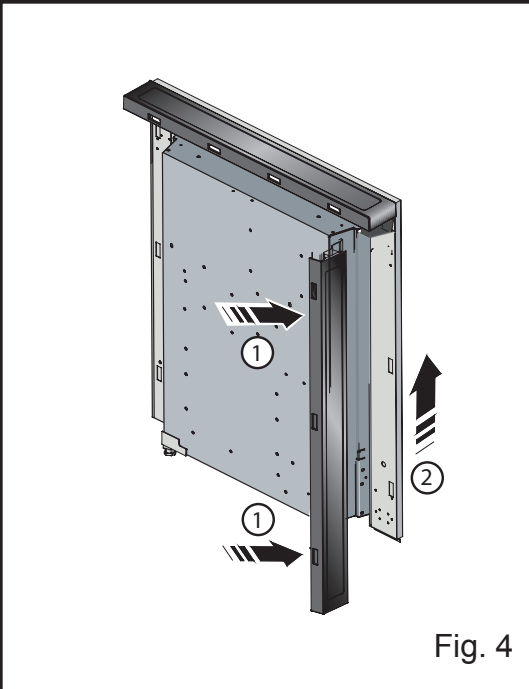
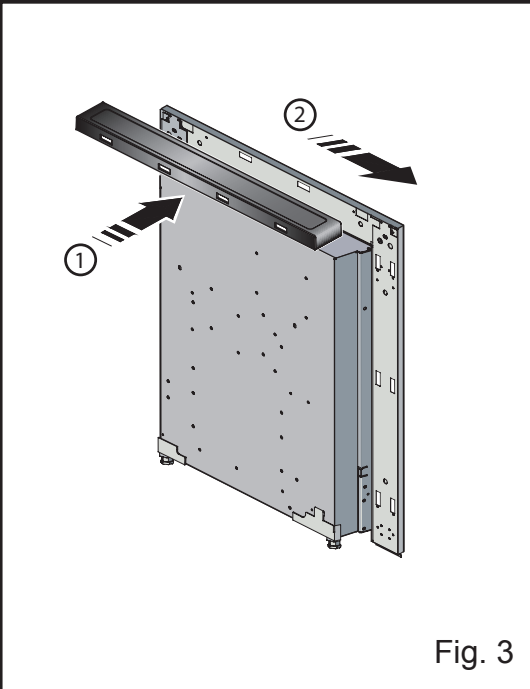
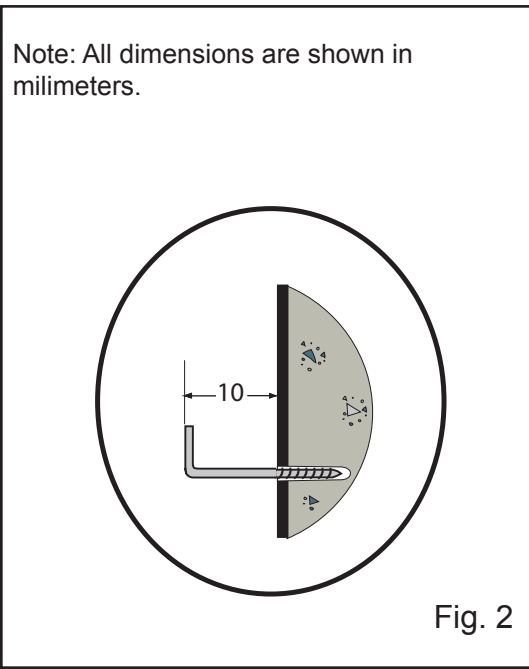
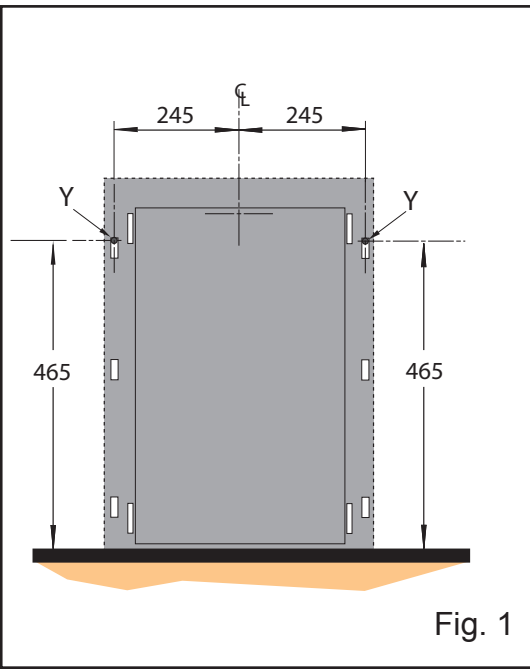
Alternatively, ring our help desk on **0844 879 3588 (UK)** or **01 842 4833 (R.O.I.)**. Spare parts are also available on the website [www.dimplex.co.uk](http://www.dimplex.co.uk).

Please retain your receipt as proof of purchase

### RECYCLING



For electrical products sold within the European Community. At the end of the electrical products useful life it should not be disposed of with household waste. Please recycle where facilities exist. Check with your Local Authority or retailer for recycling advice in your country.



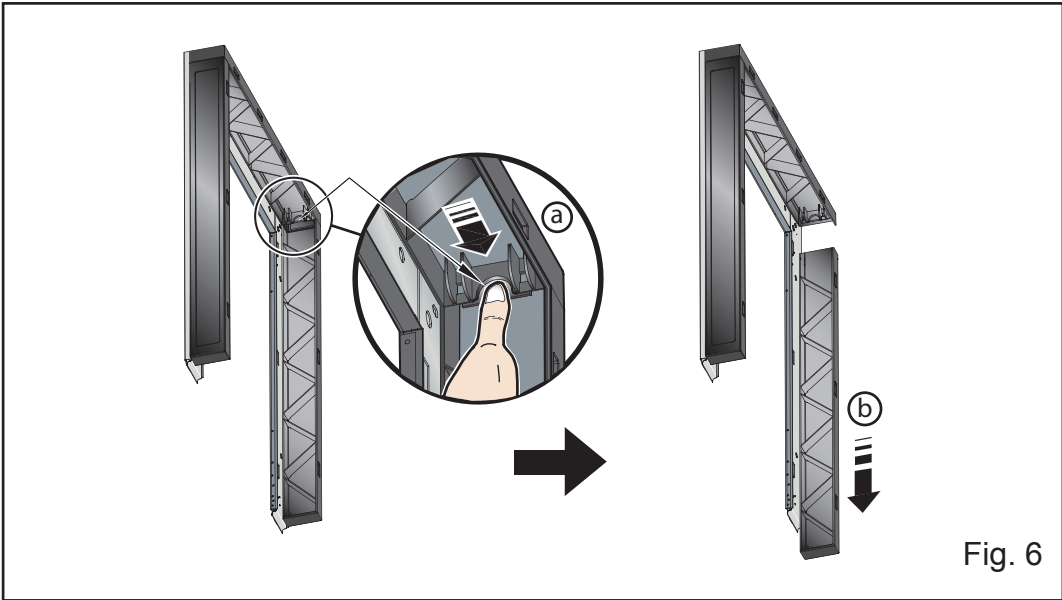


Fig. 6

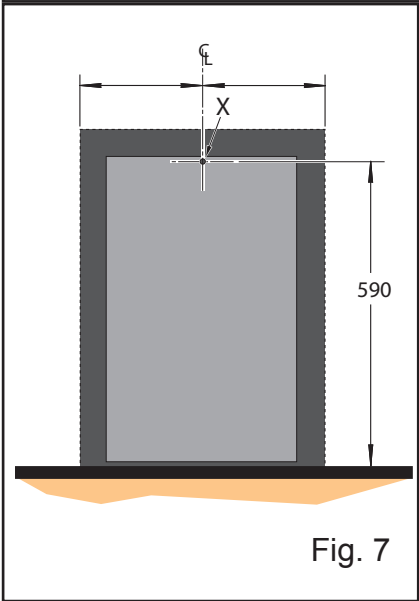


Fig. 7

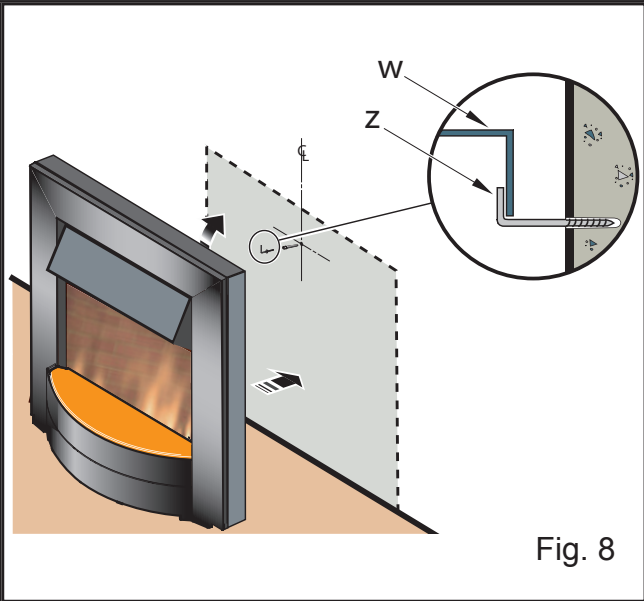


Fig. 8

---

Dimplex  
Millbrook House  
Grange Drive  
Hedge End  
Southampton  
Hampshire.  
SO30 2DF

United Kingdom  
TEL: 0844 879 3588  
FAX: 0844 879 3583  
WEB: [www.dimpex.co.uk](http://www.dimpex.co.uk)

Republic of Ireland  
TEL: 01 8424833