

Specification

METHVEN

Methven UK Ltd, Brooklands Mill, English Street, Leigh, Lancashire, WN73EH

Ref No 005-7-11

Date 2/11/11

Sample No 1

Addition of WRAS details

DTC No. DTC34

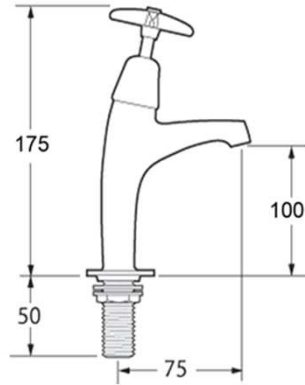
Issue 2

Code 183X

Image



Drawing



Packaging

Box Size 250 x 180 x 55mm

Carton Size 520 x 380 x 250mm

Cartons Per Pallet 16

Cartons Quantity 16

Units Per Pallet 256

Plastic Weight 0.009

Card Weight 0.135

Paper Weight 0.004

Product Weight 1.06

Total Weight kg 1.208

Fitting Instruction INST 1 - 20.7.11

Box Label

Box and Pressure label - 75 x 40mm



Label 1, central on end

Min Working Pressure
0.1 bar

Recommended Working Pressure
0.2 bar

Label 2, central on end



Label 3 (date label)
Top corner, top face
10/10/10 format

Carton Label

Carton label size - 200 x 150mm

Methven UK Brooklands Mill English Street Leigh Lancashire WN7 3EH England Product Code:	METHVEN	
	Invoice No.	Carton No.
	Order No.	
	GW	NW
Description:	Box Qty:	Units

Box Label Details

Barcode 5011632055639
 Description CROSS TOP SINK TAPS
 Code, description, finish - National Book Regular - 9 pt font
 Address - National Book Regular - 5.7 pt font
 Deva logo size - 20.739 x 6.693mm
 Barcode size - 37.72 x 26.26mm

Specification

Methven UK Ltd, Brooklands Mill, English Street, Leigh, Lancashire, WN73EH

Ref No 005-7-11

Date 2/11/11

Sample No 1

DTC No. DTC34

Issue 2

Code 183X

Addition of WRAS details

Box Contents



Box Contents

		Qty
1	TAP	2
2	WASHER	2
3	BACKNUT	2
4		
5		
6		
7		
8		
9		
10		
11		
12		
13		
14		
15		
16		
17		
18		
19		
20		
21		
22		

Internal Packing



Specification

Methven UK Ltd, Brooklands Mill, English Street, Leigh, Lancashire, WN73EH

Ref No 005-7-11

Date 2/11/11

Sample No 1

DTC No. DTC34

Issue 2

Code 183X

Addition of WRAS details

Parts Drawing



Additional Data

Flow (Bar - l/min)

Spout/outlet

0.1	8	0.2	9	0.3	11	0.5	15.5	1	17	2	20
-----	---	-----	---	-----	----	-----	------	---	----	---	----

Handset/shower head

0.1	N/A	0.2	N/A	0.3	N/A	0.5	N/A	1	N/A	2	N/A
-----	-----	-----	-----	-----	-----	-----	-----	---	-----	---	-----

Approvals

WRAS EXPIRY DEC 12 - 0712108

Valve type

STANDARD TURN

Special Features

SCREW IN TAIL
FLUSH ANTISPLASH
BRASS BACK NUT

Specification

Methven UK Ltd, Brooklands Mill, English Street, Leigh, Lancashire, WN73EH

Ref No 005-7-11

Date 2/11/11

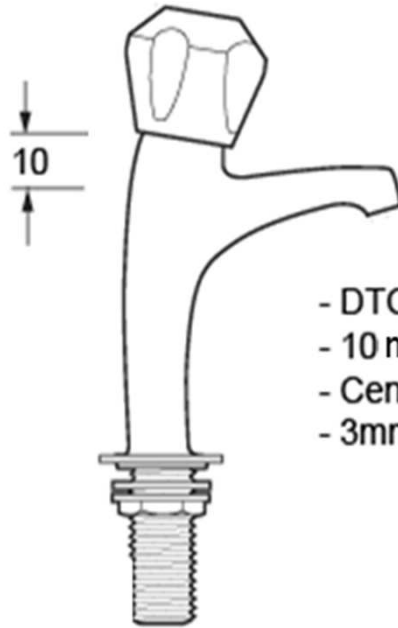
Sample No 1

DTC No. DTC34

Issue 2

Code 183X

Addition of WRAS
details



- DTC34B
- 10 mm below handle
- Central across base
- 3mm high Arial font

