

9123 BATH FILLER



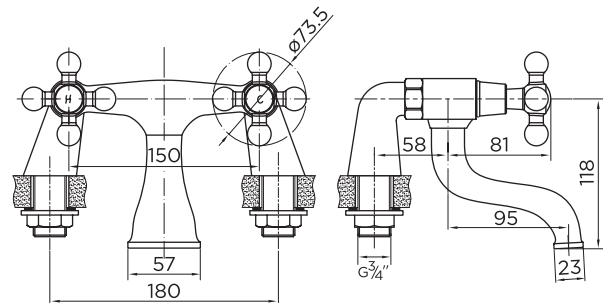
PRODUCT SPECIFICATION

Product Code: 9123
 Finish: Chrome
 Product Type: Bath Filler
 Inlet Connections: 3/4 BSP
 Construction: Body: Brass
 Handles: Zinc
 Gross Weight (kg): 1.50



ADDITIONAL INFORMATION

- Chromed finish
- Lifetime guarantee



WORKING PRESSURES (bar)

Min Pressure	Max Pressure	Best Performance
0.2	6	3

FLOW RATES (litres per minute)

0.5 Bar	1 Bar	3 Bar
3.1	6.3	12.1

