

9126 BATH TAPS

kingsbury

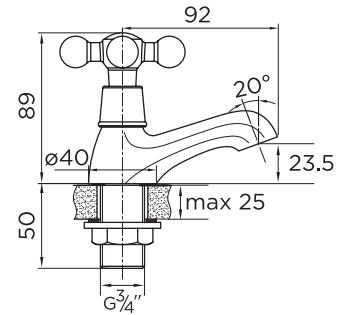
PRODUCT SPECIFICATION

Product Code:	9126
Finish:	Chrome
Product Type:	Bath Taps
Inlet Connections:	3/4 BSP
Construction:	Body: Brass Handles: Zinc
Gross Weight (kg):	0.90



ADDITIONAL INFORMATION

- Chromed finish
- Lifetime guarantee



WORKING PRESSURES (bar)

Min Pressure	Max Pressure	Best Performance
0.2	6	3

FLOW RATES (litres per minute)

0.5 Bar	1 Bar	3 Bar
3.8	7.3	12.1

niagara