

# 9002 MONO BASIN MIXER

camden

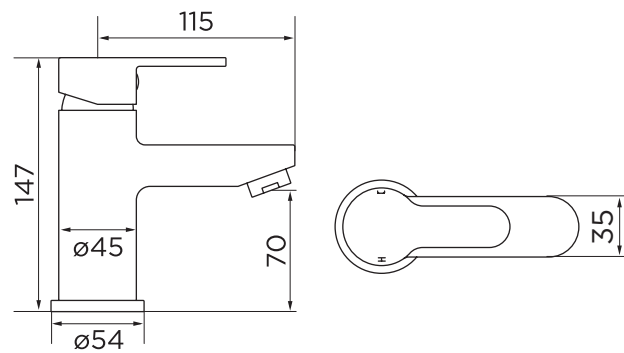
## PRODUCT SPECIFICATION

Product Code:	9002
Finish:	Chrome
Product Type:	Mono Basin Mixer with Click-Clack waste
Inlet Connections:	1/2 BSP
Construction:	Body: Brass Handle: Zinc
Gross Weight (kg):	1.1



## ADDITIONAL INFORMATION

- Chromed finish
- Click-Clack waste
- Flexible inlets
- Lifetime guarantee



## WORKING PRESSURES (bar)

Min Pressure	Max Pressure	Best Performance
0.2	10	3

## FLOW RATES (litres per minute)

0.5 Bar	1 Bar	3 Bar
5.6	7.8	13.3

niagara