

# 9012 BATH FILLER



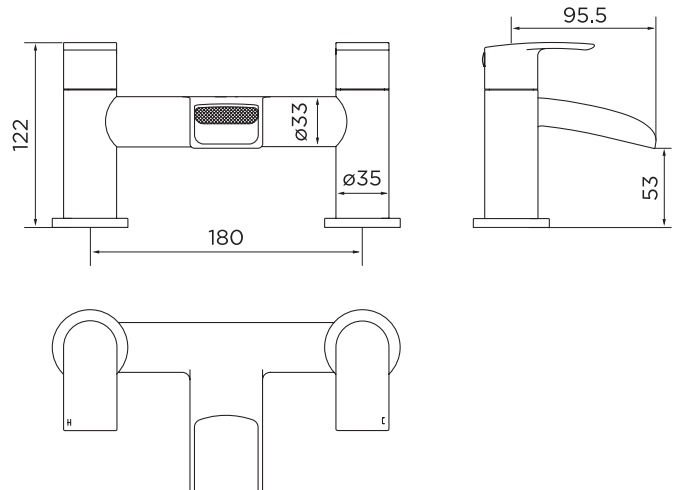
## PRODUCT SPECIFICATION

Product Code: 9012  
 Finish: Chrome  
 Product Type: Bath Filler  
 Inlet Connections: 3/4 BSP  
 Construction: Body: Brass  
 Handle: Zinc  
 Gross Weight (kg): 1.56



## ADDITIONAL INFORMATION

- Chromed finish
- Lifetime guarantee



## WORKING PRESSURES (bar)

Min Pressure	Max Pressure	Best Performance
0.2	10	3

## FLOW RATES (litres per minute)

0.5 Bar	1 Bar	3 Bar
19.2	27.4	50

