

9042 MONO BASIN MIXER

pimlico

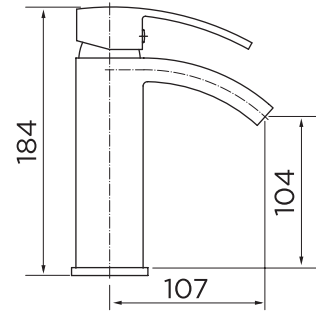
PRODUCT SPECIFICATION

Product Code:	9042
Finish:	Chrome
Product Type:	Mono Basin Mixer with Click-Clack waste
Inlet Connections:	1/2 BSP
Construction:	Body: Brass Handles: Zinc Waste: Brass
Gross Weight (kg):	2.12



ADDITIONAL INFORMATION

- Chromed finish
- Click-Clack waste
- Flexible inlets
- Lifetime guarantee



WORKING PRESSURES (bar)

Min Pressure	Max Pressure	Best Performance
0.2	6	3

FLOW RATES (litres per minute)

0.5 Bar	1 Bar	3 Bar
1.8	3.6	6.7

niagara