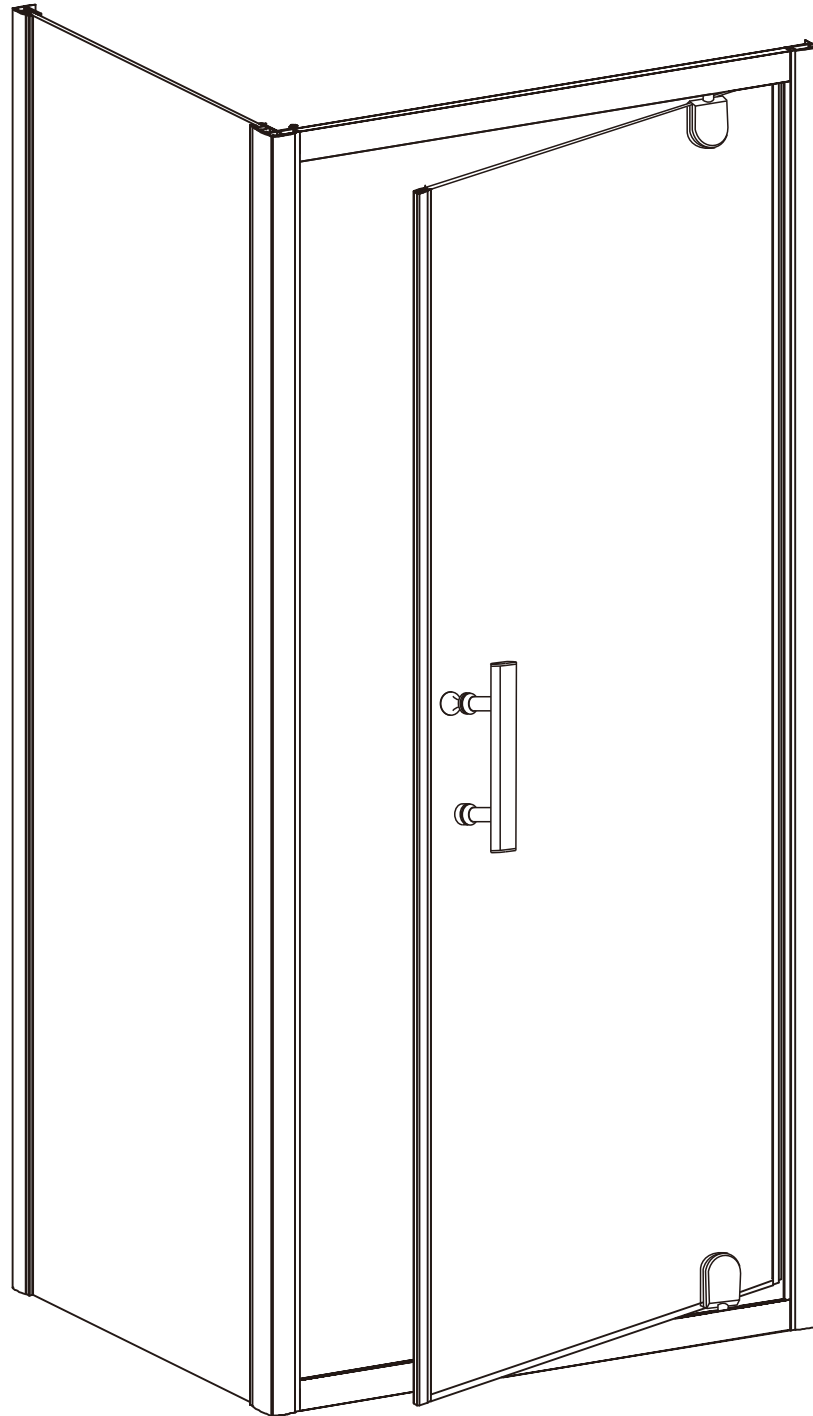


ASSEMBLY INSTRUCTIONS

6MM Pivot Door



This Instruction contain installtion with side panel.

BEFORE YOU START, HERE IS SOME IMPORTANT INFORMATION

1) General Information

Please inspect this product upon delivery. any missing parts or manufacturing defects must be reported immediately to the supplier. Damage of defects reported later will not be accepted. **TAKE CARE WHEN HANDLING GLASS PARTS-AVOID HEAVY CONTACT BETWEEN THE GLASS EDGES AND ANY HARD SURFACE.**

Glass breakage claims will not be accepted after the product has been unpacked.

Please note--aluminium is a soft metal, and undergoes a series of extrusion, fabrication, polishing and anodising processes in order to create your finished shower enclosure. Some light surface marks are normal, and is a result of the manufacturing processes. Quality control has ensured that this item is of a good standard, and is fit for purpose.

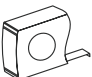


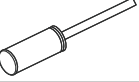
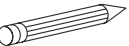
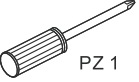

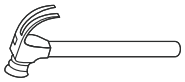

2) Additional Notes

Please read these instructions carefully before starting installation.

Special care should be taken when drilling walls to avoid hidden pipes or electrical cables.

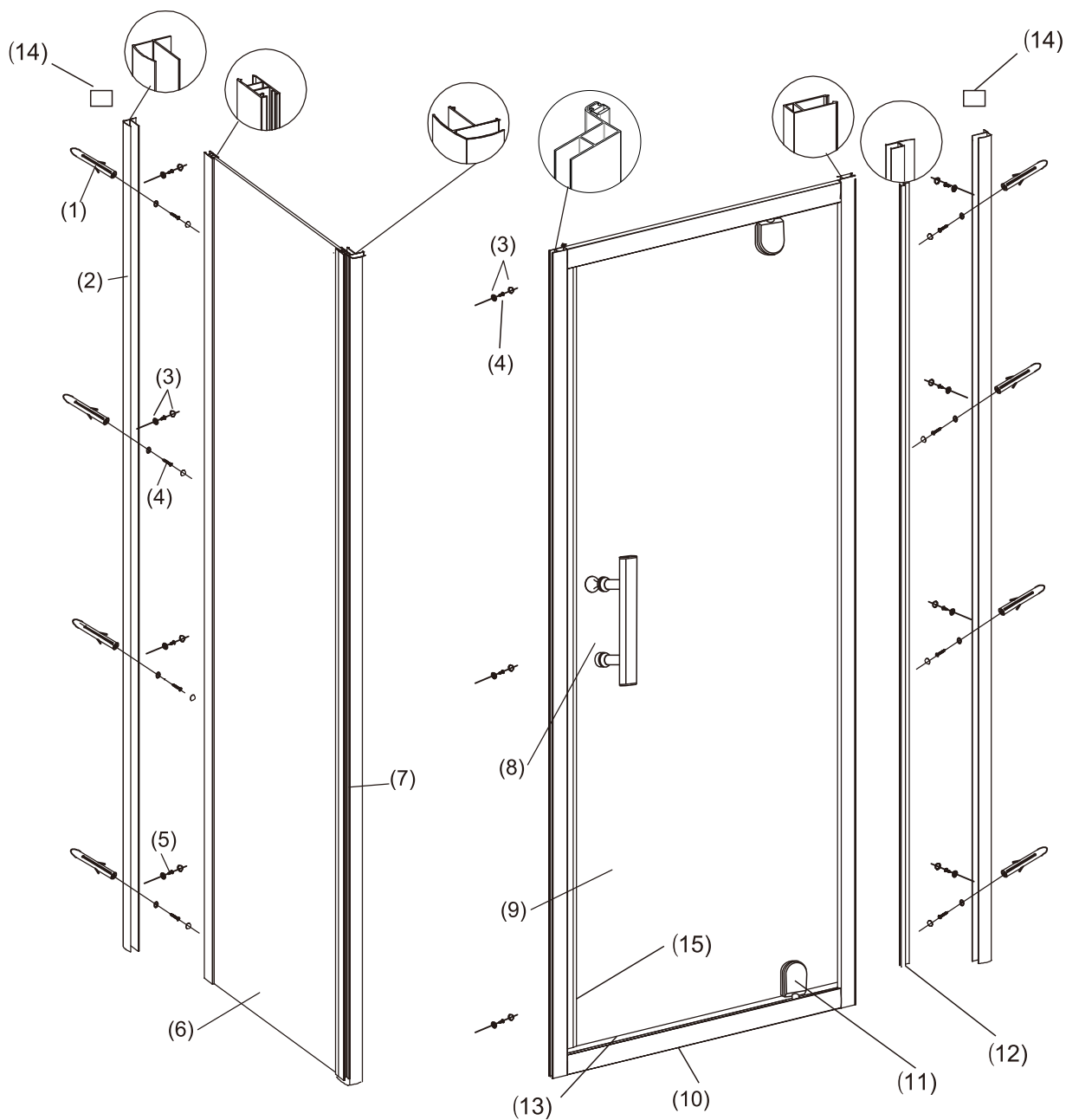
Note: this product is heavy and may require two people to install.

TOOLS REQUIRED

DESCRIPTION	PART IMAGE	DESCRIPTION	PART IMAGE
Tape measure		Drill	
Spirit level		Flat-head Screwdriver	
Pencil		Cross head Screwdriver	 PZ 1
Drill bit		Hammer	
		Silicone Sealant	

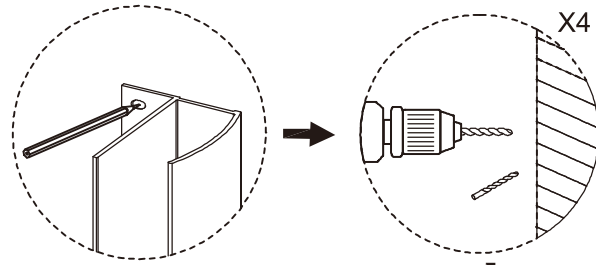
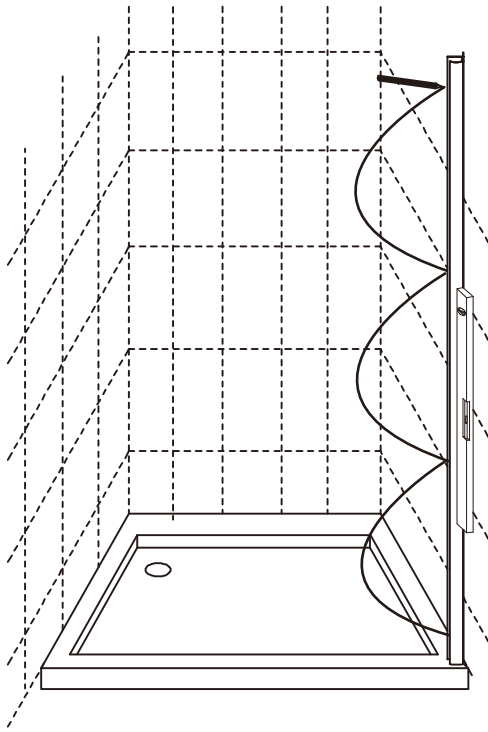
 This product is heavy and may require two people to install.

ASSEMBLY INSTRUCTIONS-DRAWING+SIDE PANEL



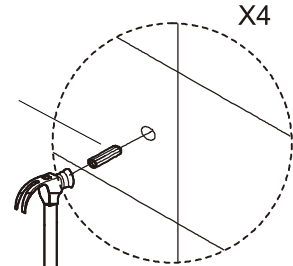
1.Wall PlugsX8	9.Fixed glass X1
2.Wall Profiles X2	10.Pre-installed completely door profile frame X1
3.Screw cover caps X14	11.Hinge X2
4.Screw M4x30 x8	12.Waterproof seal long X1
5.Screw M4x12 X6	13.Waterproof seal short X1
6.The completely side panel X1 (only for installation with side panel)	14.Profile cap X2
7.Corner profile X1 (only for installation with side panel)	15.Magnetic seal X1 pair (1piece has pre-installed within profile and other 1piece need with glass)
8.Door handle X1	16.Hex key X1

1

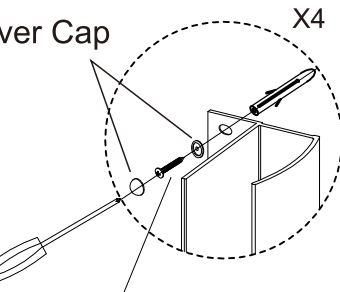


1.Wall Plug

Take Care Not To
Damage Wall Surface

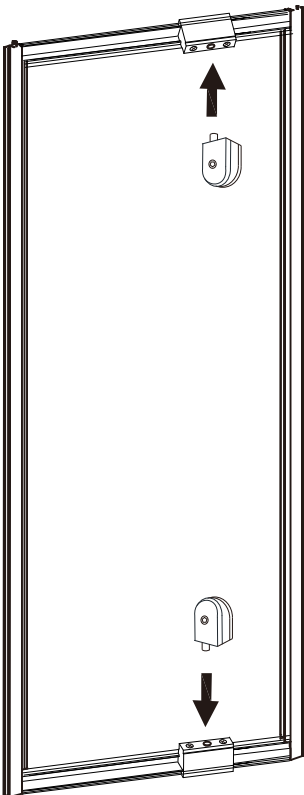


3.Screw Cover Cap

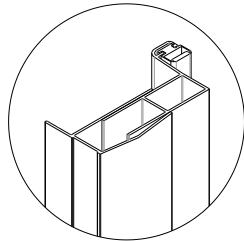
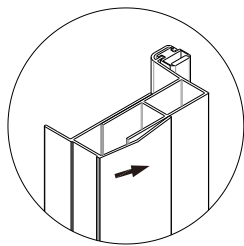


4.Screw M4x30

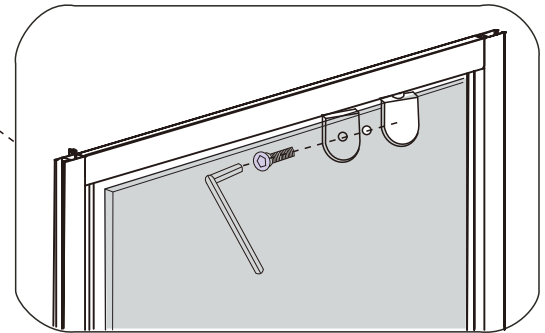
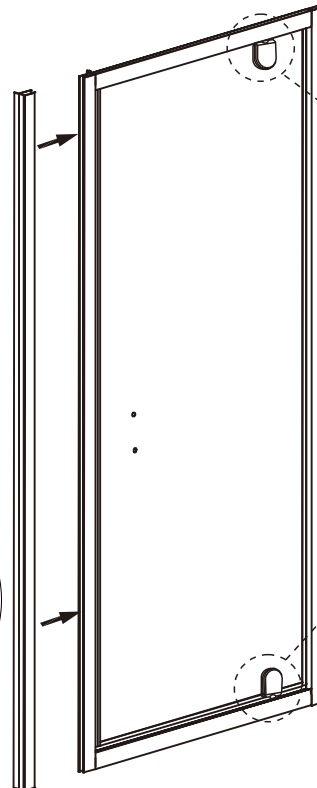
2 Put the hinge into hinge base(top and bottom)



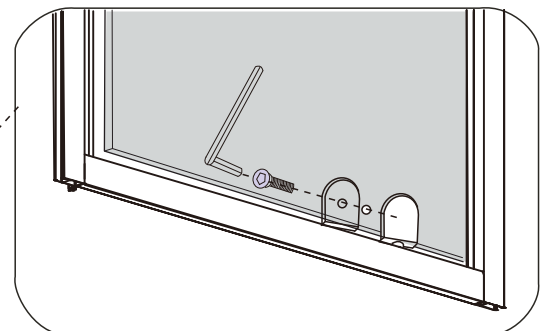
2.a



2.c Put one wall profile within
whole pivot panel

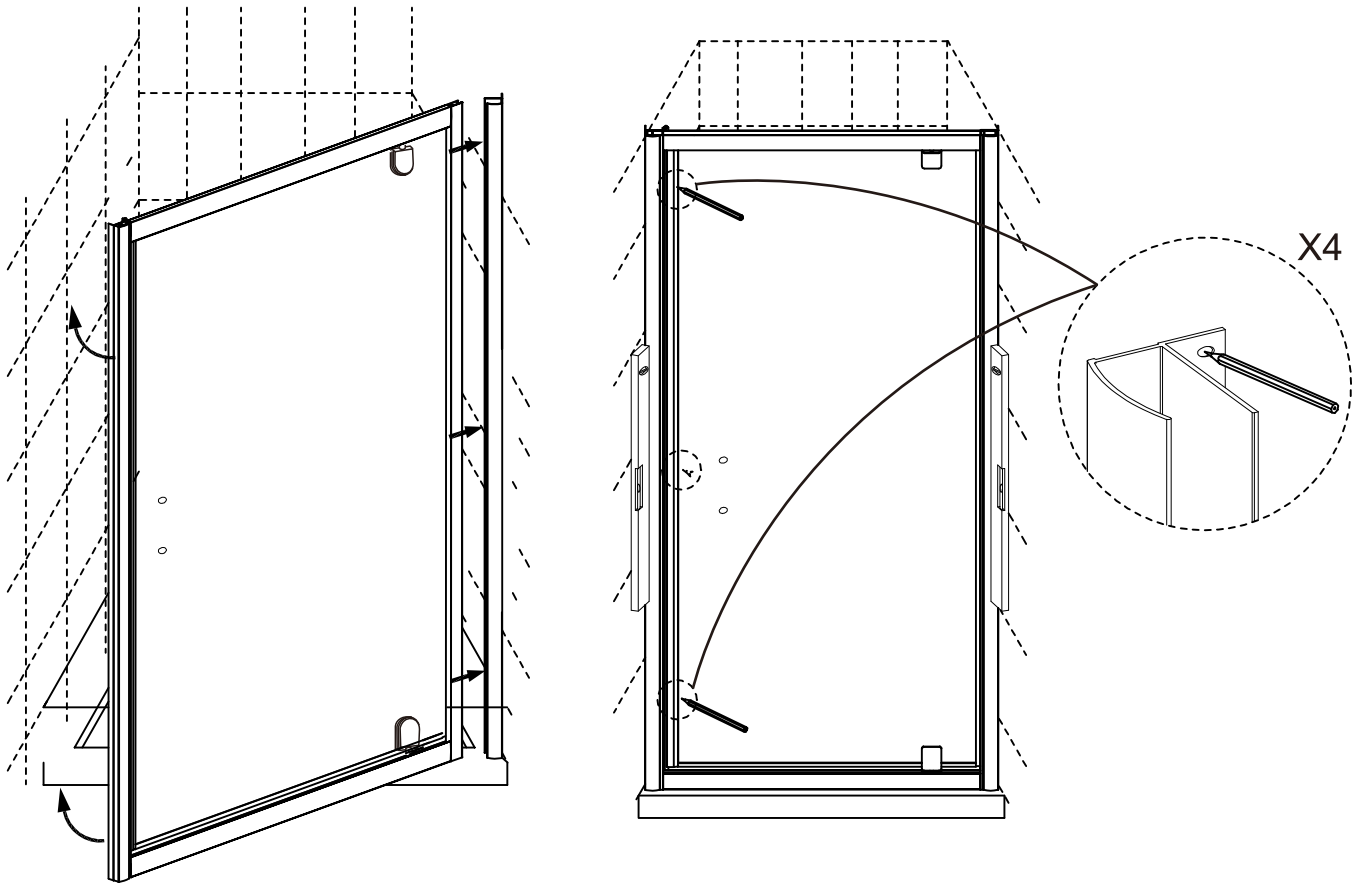


Unscrew the middle screw of
each hinge, insert the glass and
tighten screws again.

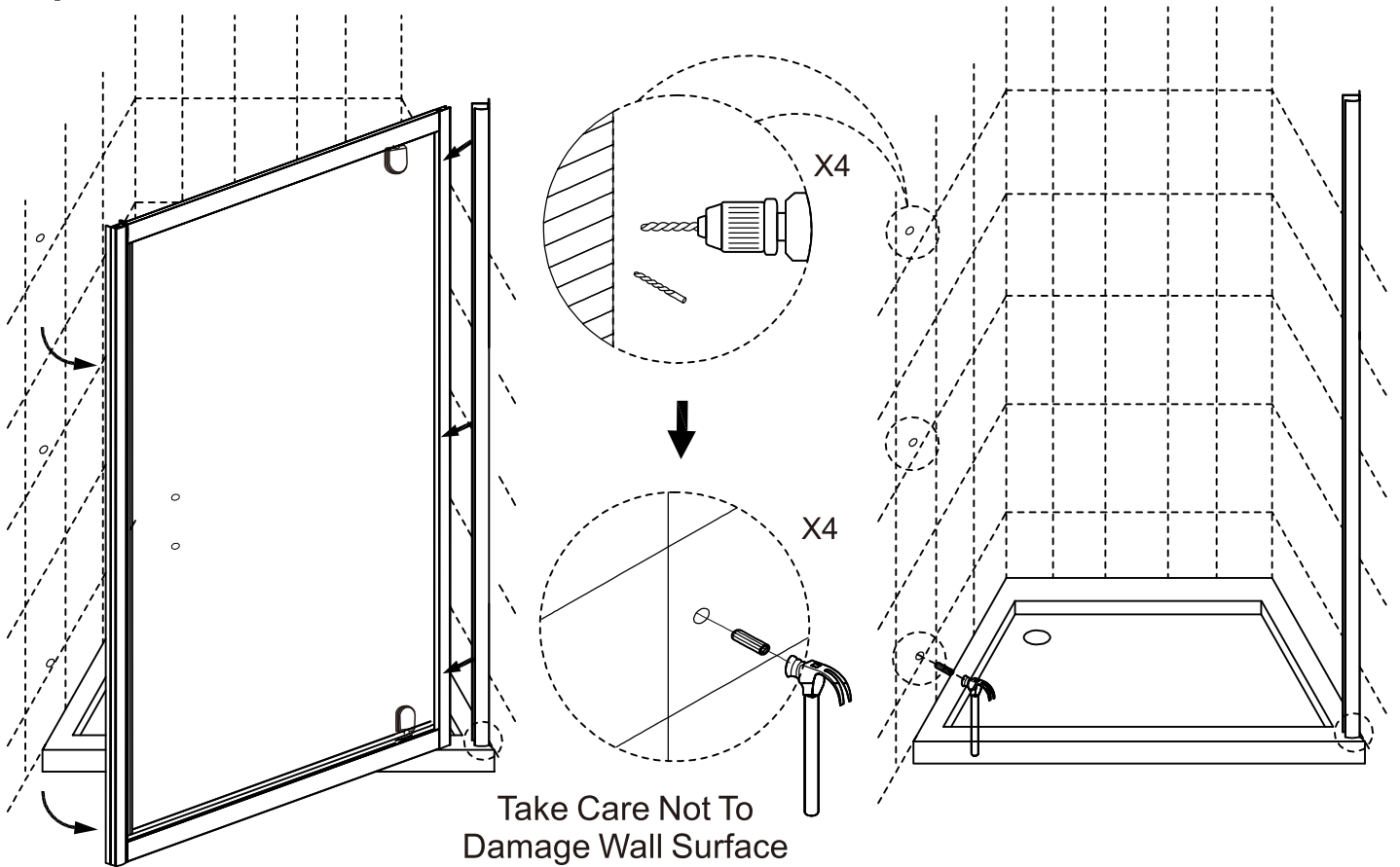


2.b

3



4



5

3.Screw Cover Cap

4.Screw M4x30

X4

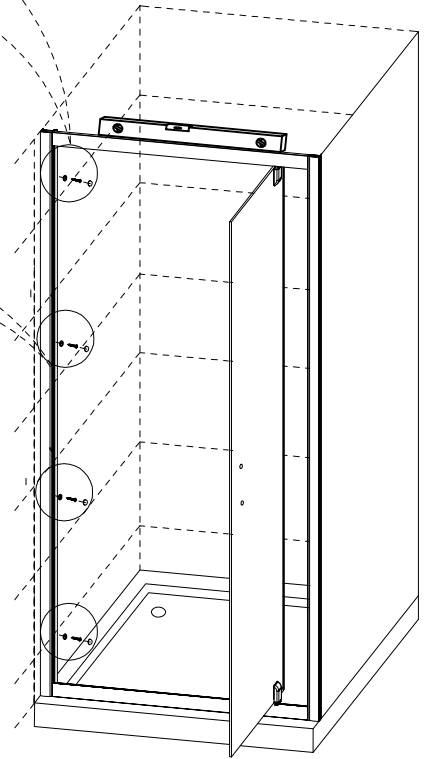
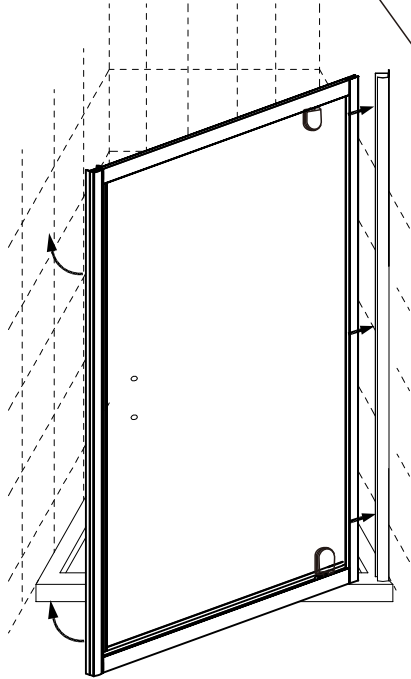
view from inside

X4

view from outside



Adjust the door so to be central between the wall profiles

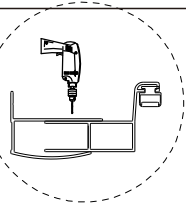


6

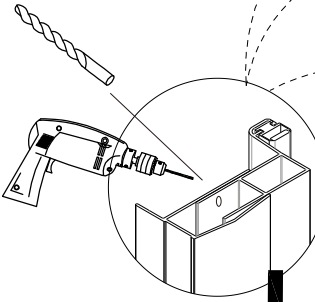
X3



Take care not to drill to the glass

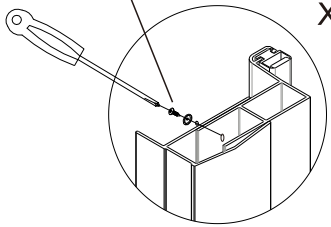


X6

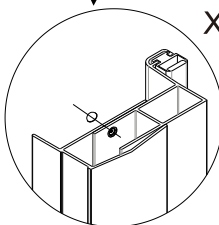


5.Screw M4x12

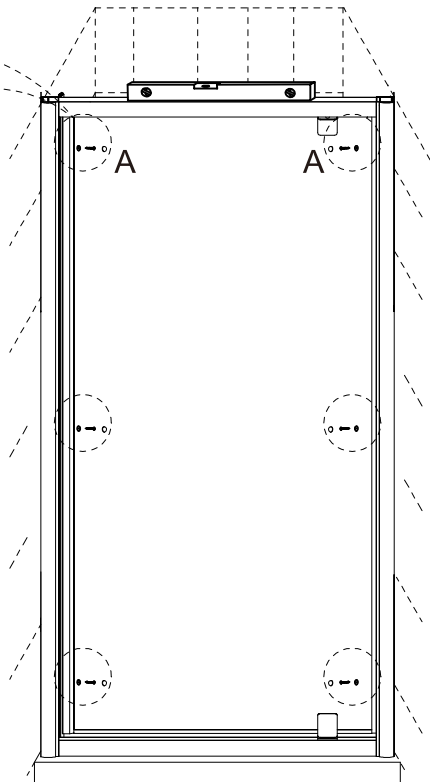
X6



X6

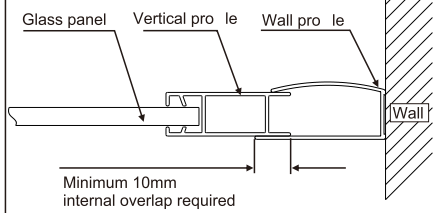


View from inside

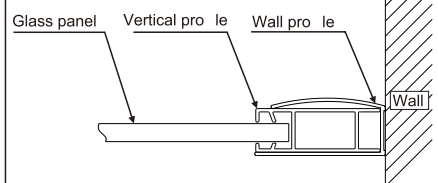


How to adjust the width of the pivot door

Maximum adjustment

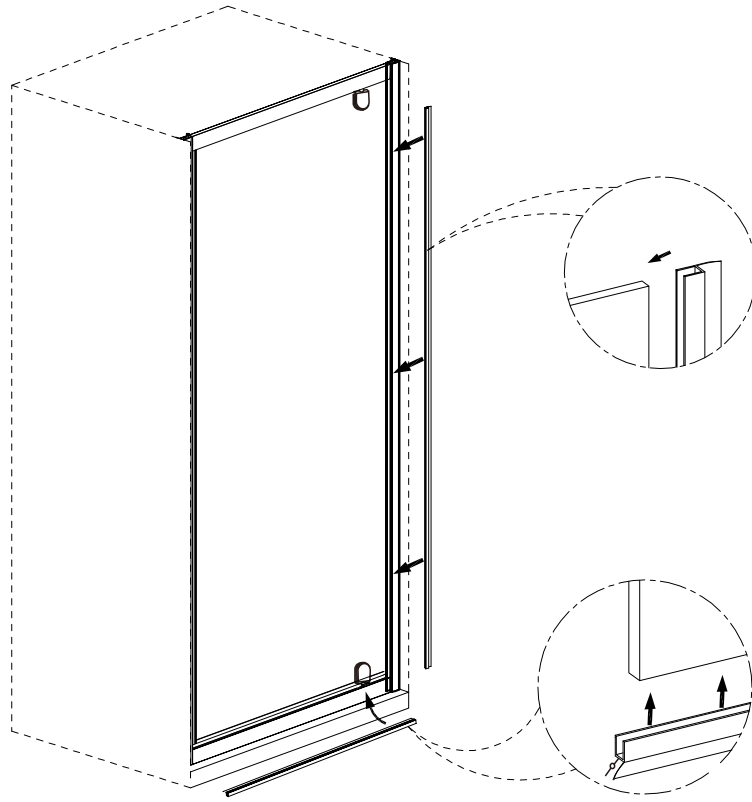


Minimum adjustment

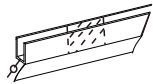


Use a spirit level to make sure the door is square within the frame. There should be an even gap top & bottom between the door and the frame.

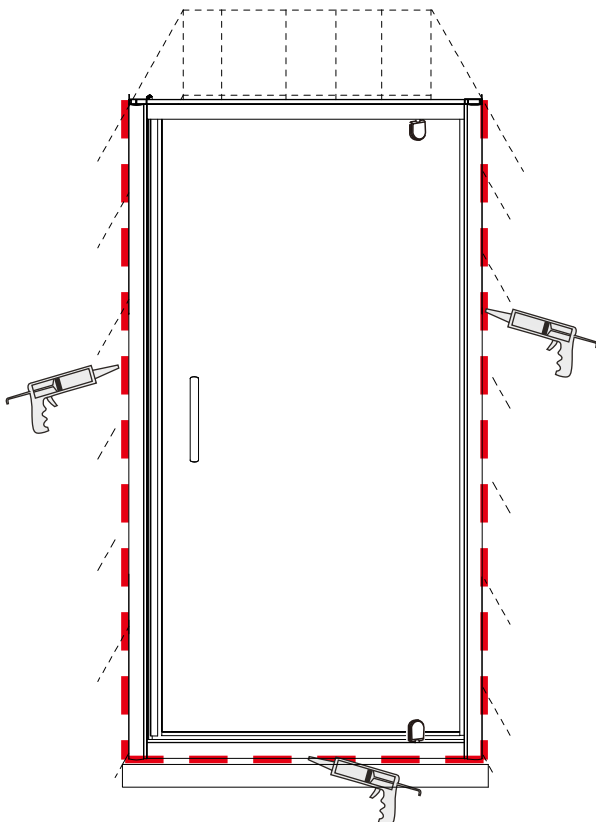
7



Note: when fit the bottom seal, can just be cut as two pieces to fit glass. Or which better
Where the bottom seal is to be cut please take care not to fully cut the blade all the way through



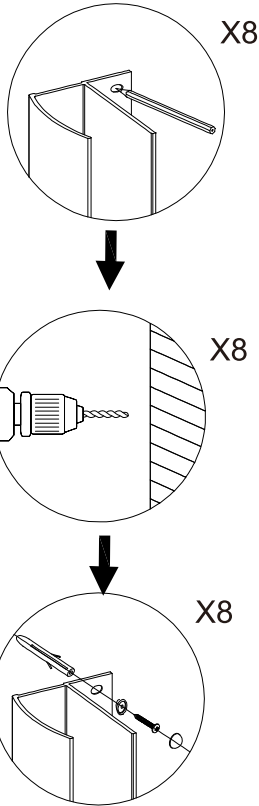
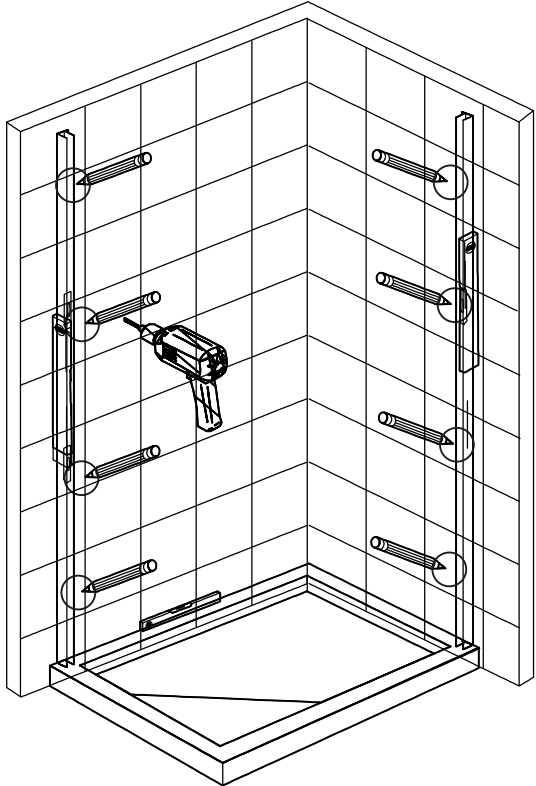
8



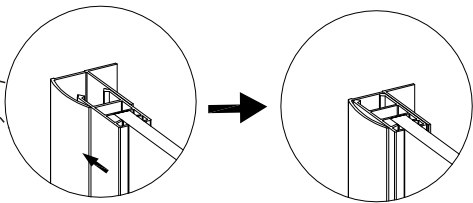
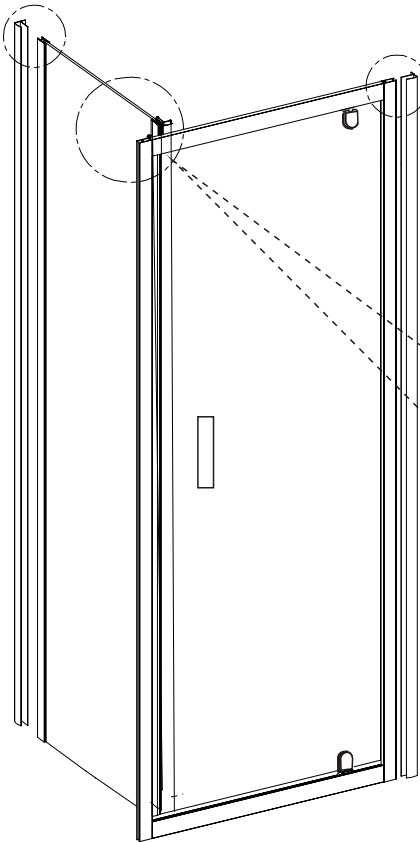
Silicone (outside edge only) where the vertical profiles meet the wall, and the horizontal profiles meets the tray

Corner installation with a side panel

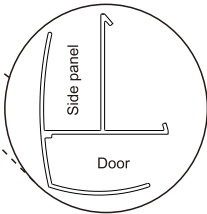
1



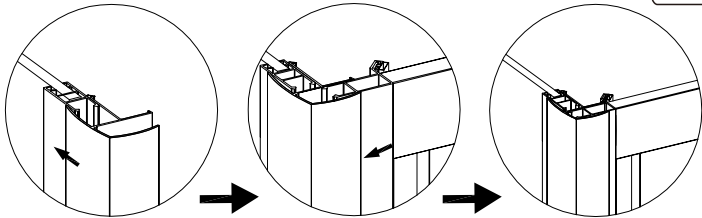
2



view from outside



⚠ Do not install the corner post upside down.

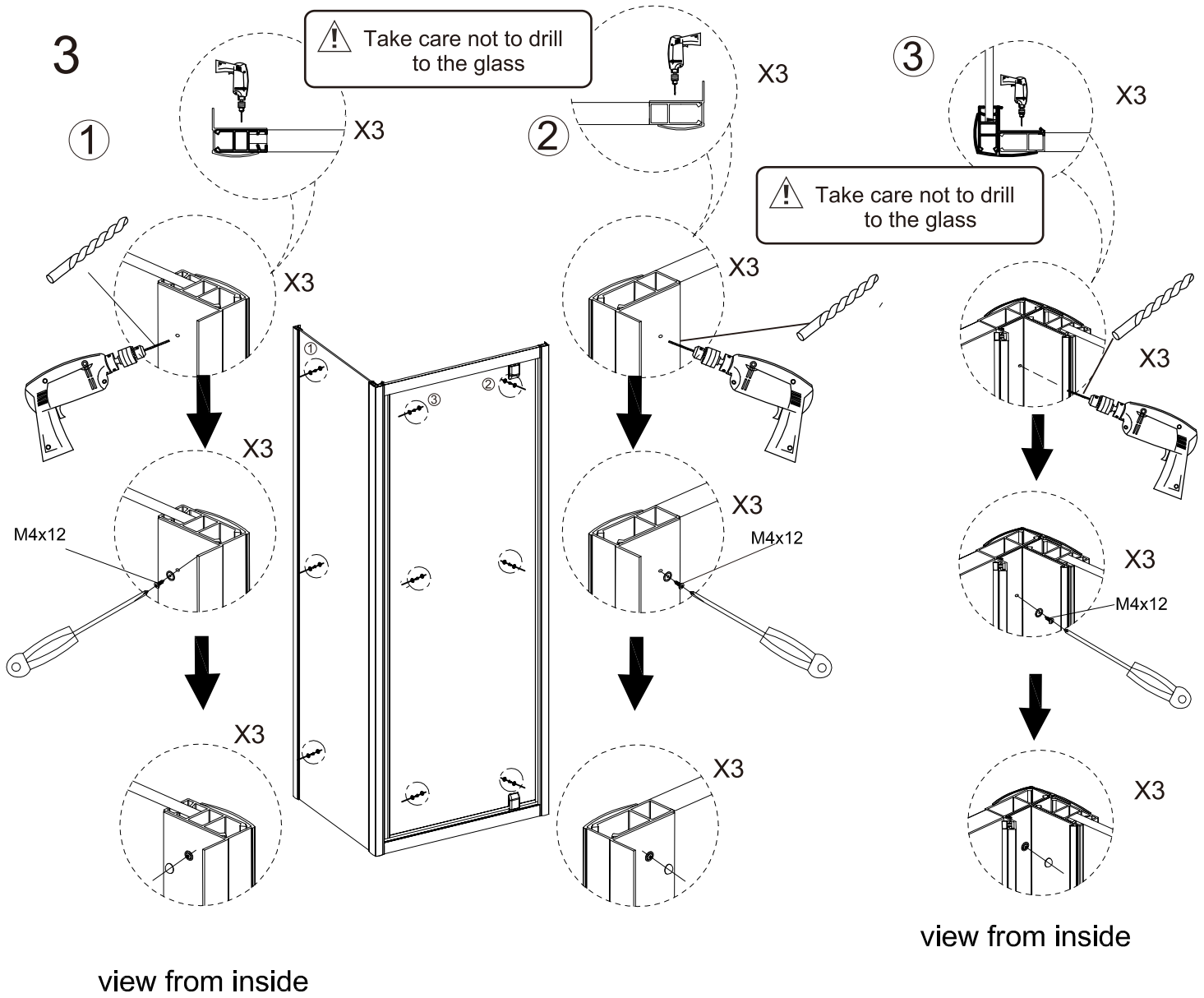


How to adjust the width of the side panel

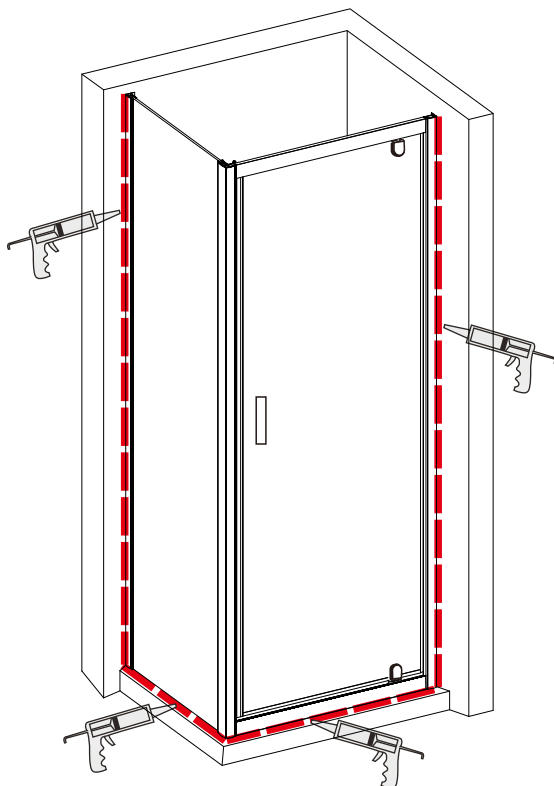
Maximum adjustment

Minimum 10mm internal overlap required

Minimum adjustment



4



Silicone (outside edge only) where the vertical profile meet the wall, and the horizontal profile meet the tray.