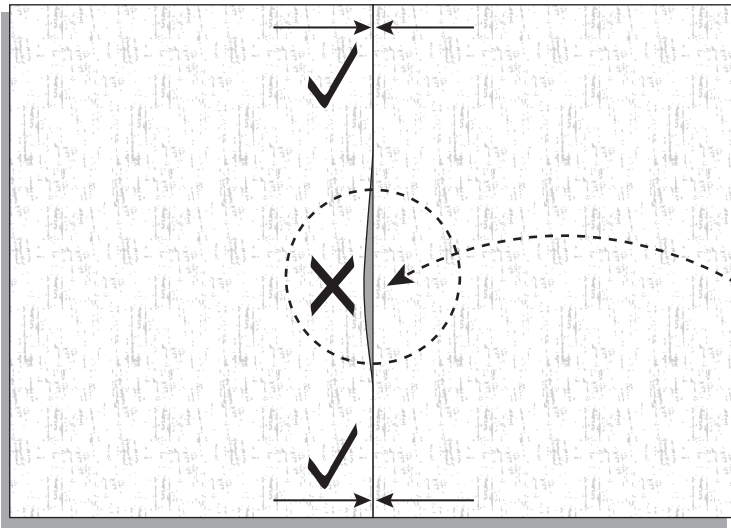


INSTALLATION ADJUSTMENTS

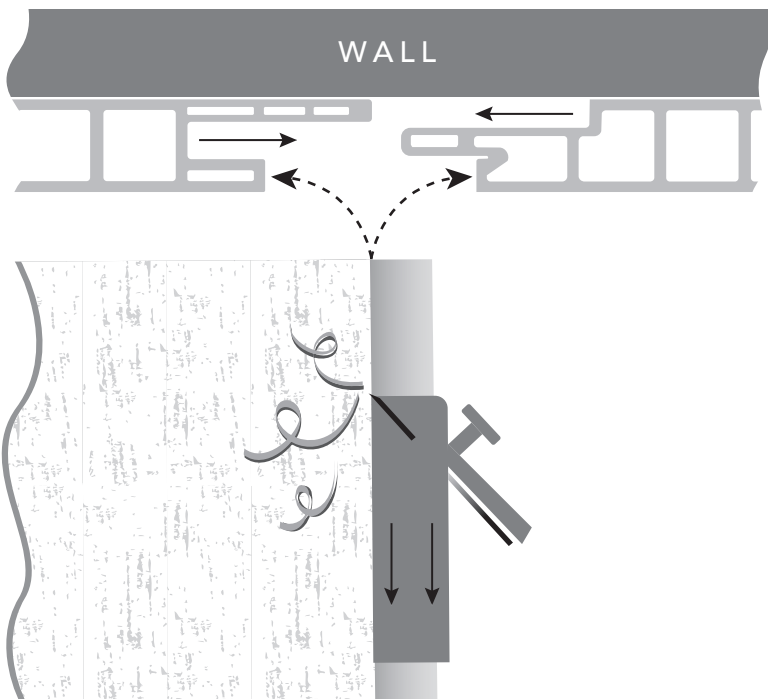


FIT AND FORGET

BATHROOM & GARDEN PRODUCTS

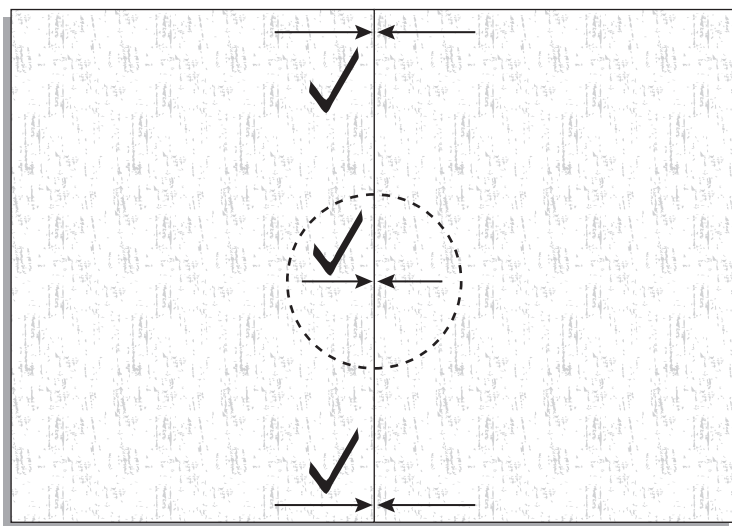


Several external factors may cause minor 'gapping' between boards. We recommend the steps below to help overcome this.



1. Focusing on the top and base ends of the boards, use a mini bullnose plane to scribe along the front inside edge of each board to remove a small amount of material.

2. Ensure you remove the same amount from both ends, then present the boards back together to check for a flush finish.



3. If the gap is still visible, repeat this process until enough material has been removed to allow for the gap to close and the boards to be fixed in place.

N.B. images are for illustration purposes, and not to scale