

Technical Datasheet

Product Code: 238H1080QLH-C

Product Description: Hydro45 Stone Tray 1000X800LH OS Quad White



Specification

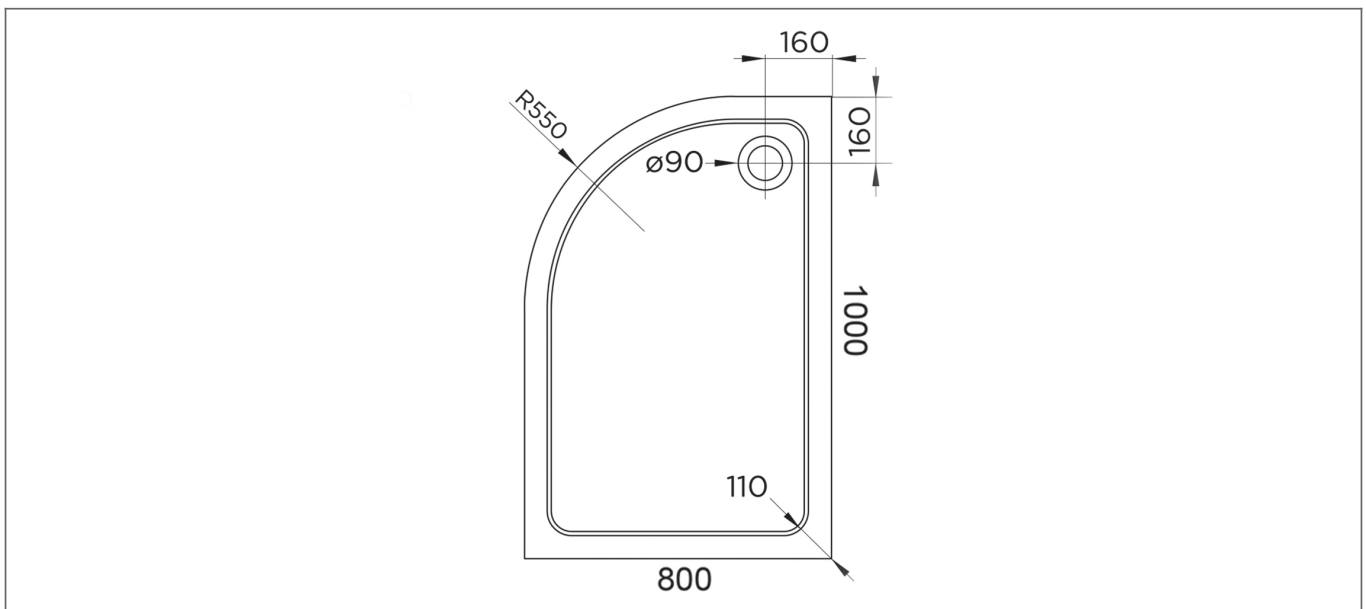
| | |
|----------------------|-----------------------------|
| Material: | Acrylic Capped Bonded Resin |
| Style: | Modern |
| Shape: | Offset Quadrant |
| Colour: | White |
| Product Guarantee: | 10 Years |
| Barcode: | 5031978059962 |
| Product Length (mm): | 1000 |
| Product Width (mm): | 800 |
| Product Height (mm): | 45 |



Key Features

- Designed to last & provide leak free shower relaxation
- Manufactured from 45mm acrylic capped stone resin
- 90mm fast flow waste also available for easy installation
- Can be installed to the floor or with a riser kit
- Leg & panel set available to purchase separately
- 28 sizes available to meet your bathroom requirements

Technical Drawing



Dimensions: All measurements are in millimetres and are subject to normal manufacturing variations.

Due to a continuing development programme to improve design and performance, we reserve all rights to vary specifications without prior notice. Please note, all accessories are for photographic purposes only.