



Vitality Lever

Vitality Lever Sink Taps

Product Code: VL103

Finish: Chrome

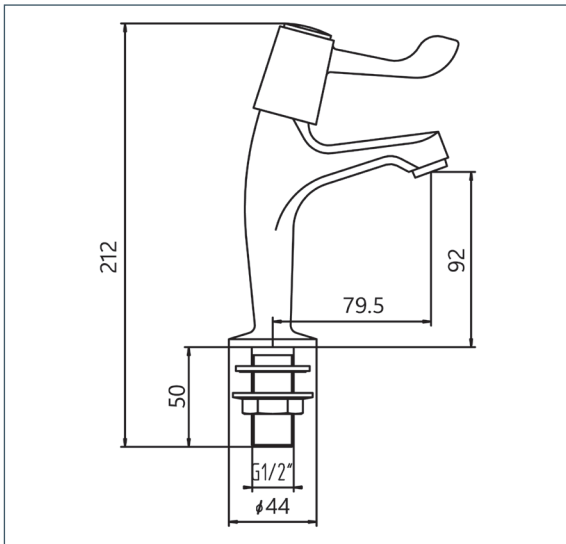
Features

- Construction:** Brass
- Valve/Cartridge type:** ¼ Turn Ceramic Disc
- Supply:** Suitable For Low Pressure Systems
- Working Pressures:** 0.1 - 5.0 bar
- Inlet connections:** ½" BSP
- Flexi or Copper:** N/A

- 1/4 Turn Ceramic Disc Handles Ensure A Smooth Operation
- Brass Backnuts
- Easy Maintenance
- Easy Identifiable Hot And Cold Water Selection
- Ideal For Any Application Requiring Simple Lever Operation
- Suitable For High & Low Pressure Systems



*Please refer to website for full warranty details.



Flow (Bar - l/min, open outlet)

Spout

Flow 0.1	Flow 0.3	Flow 0.5	Flow 1.0	Flow 2.0	Flow 3.0	Flow 4.0	Flow 5.0
4	6.4	8.7	12.7	18.3	22.5	26.1	29.3



2301090

